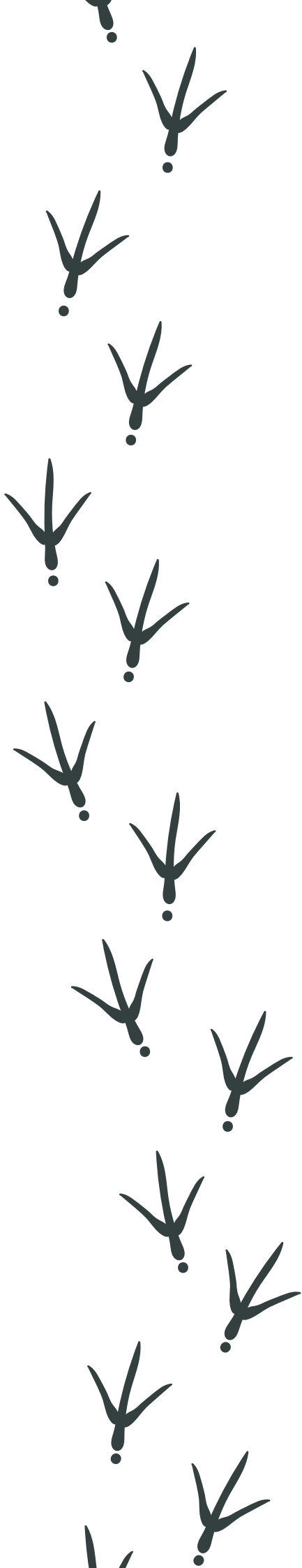


BirdBlocker BB200





NL Installation manual

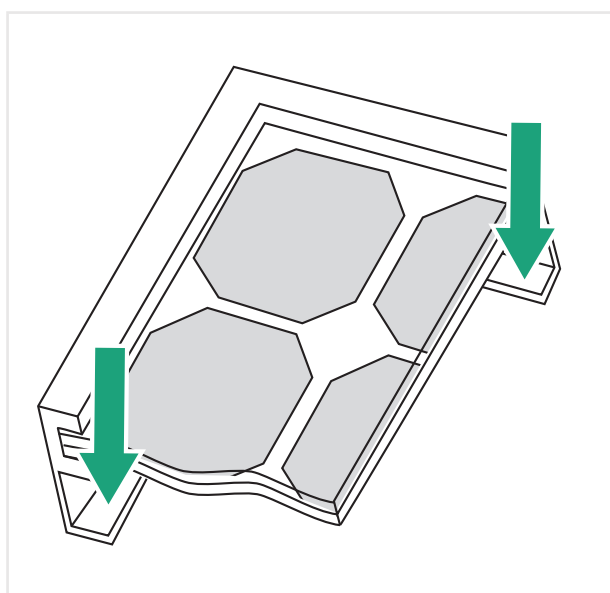
BirdBlocker BB200

Read the manual carefully before installing the BB200. Follow each step in the manual carefully. Keep the manual for future use.

You are responsible for the correct installation and use of the BB200 and the solar panels. Always follow the applicable safety regulations and use the correct safety devices during installation on the roof. BirdBlocker B.V. is not responsible for the installation and correct use.

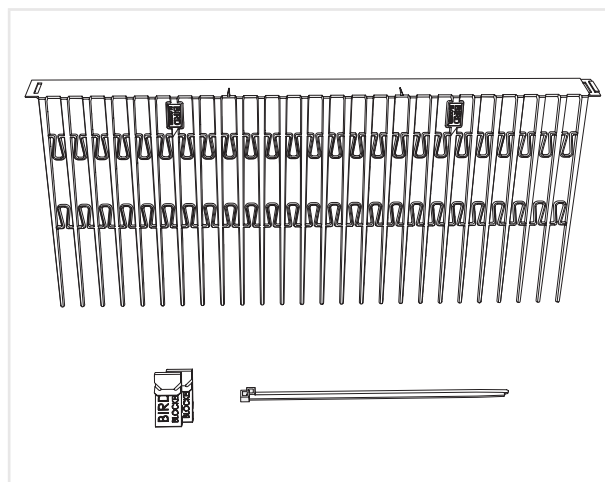
BirdBlocker works best as a preventive measure to prevent nuisance from birds. **DO NOT install the BirdBlocker during the breeding period.** The birds will do their utmost to get under the solar panels because of their nesting urge. In several countries it is even punishable by law to disturb nests during this breeding period.

The BB200 is intended for use with solar panels with a flat flange on the mounting profile (1.15 - 2.0 mm). Isn't there flat flange? Then you can not use the BB200.



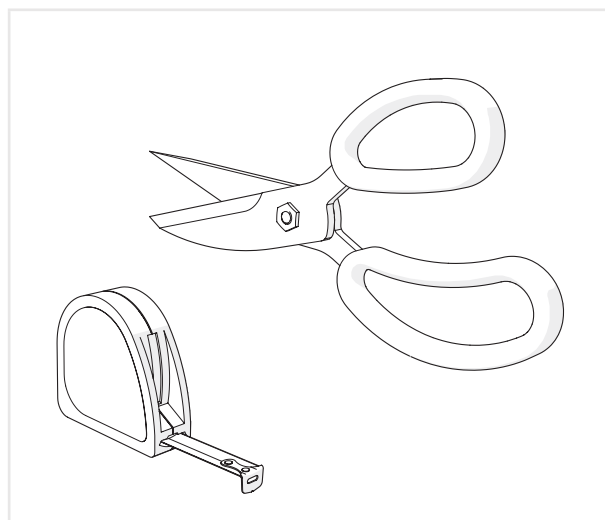
In the package

- BirdBlocker strips
- BirdBlocker clips
- Cable Ties

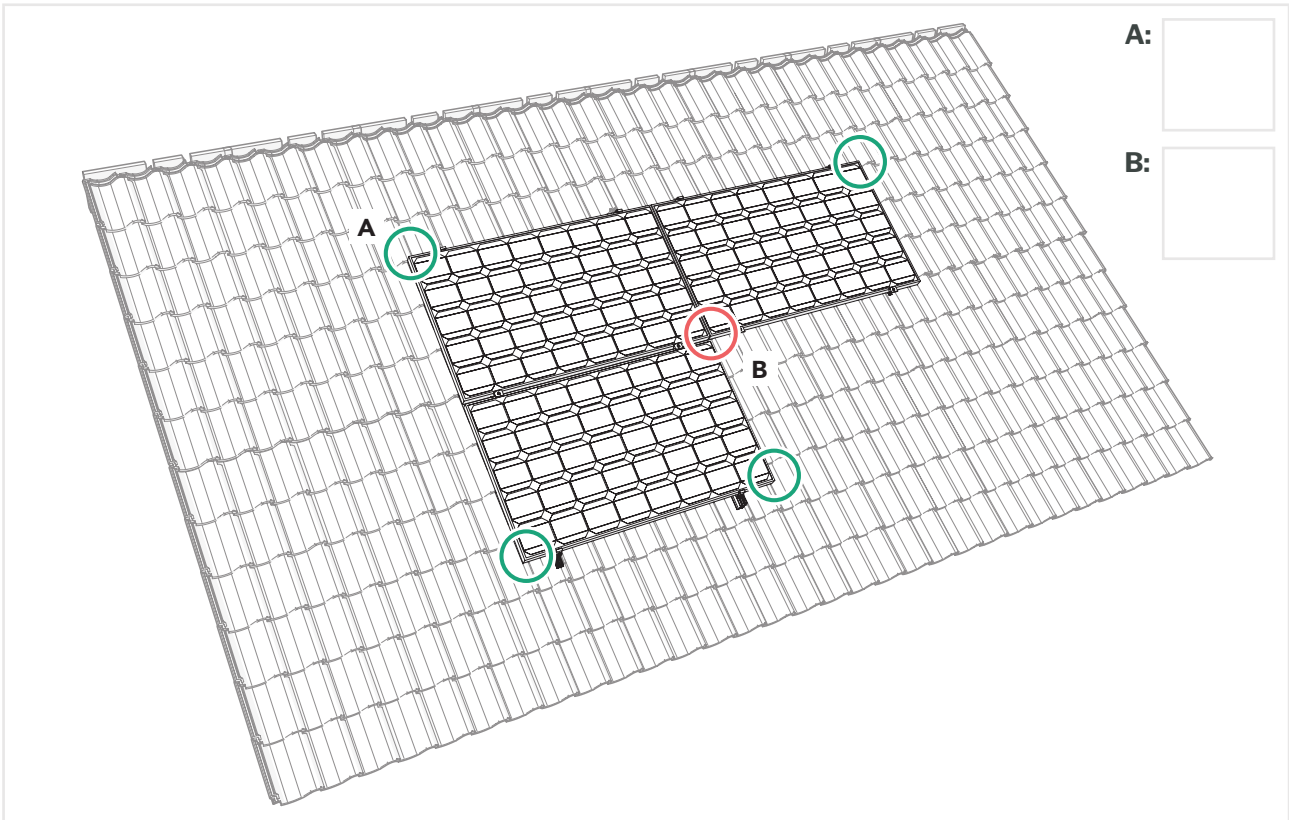


Supplies

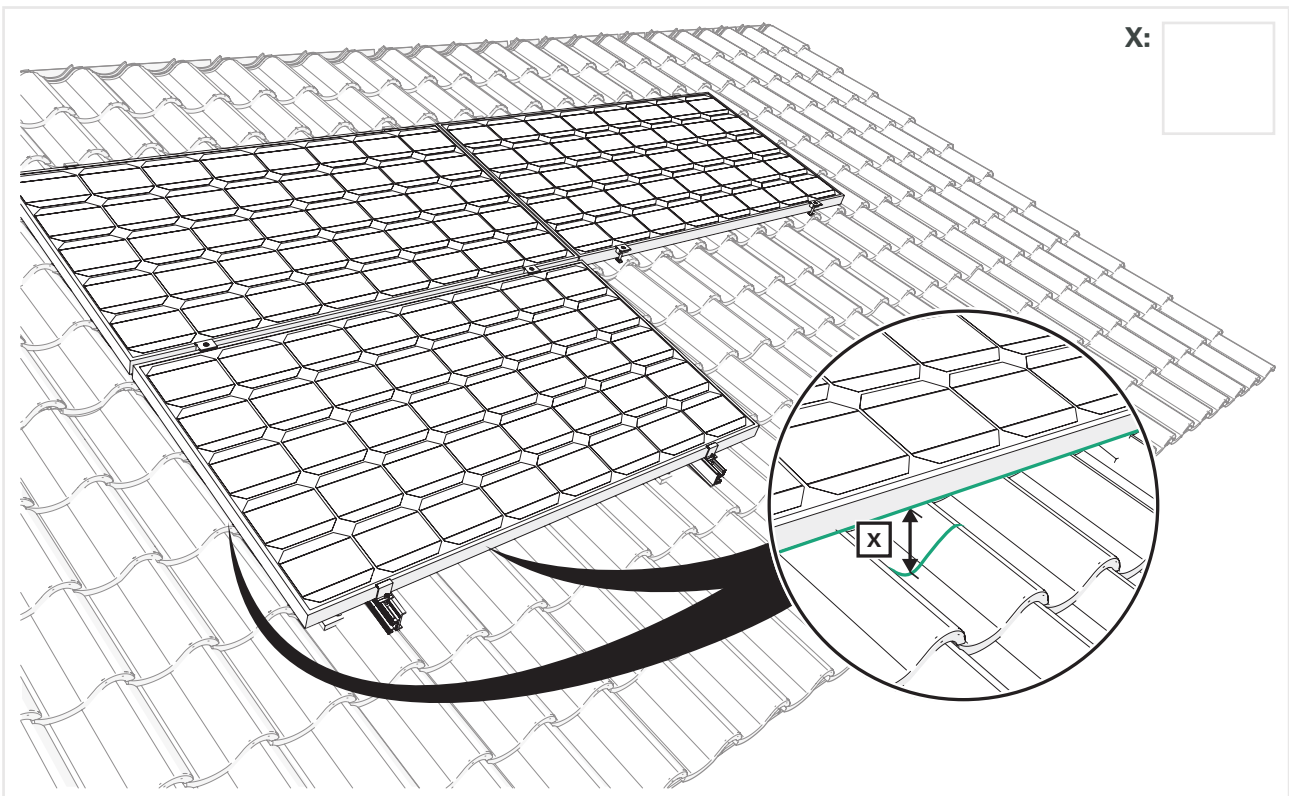
- Strong scissors
- Measuring tape



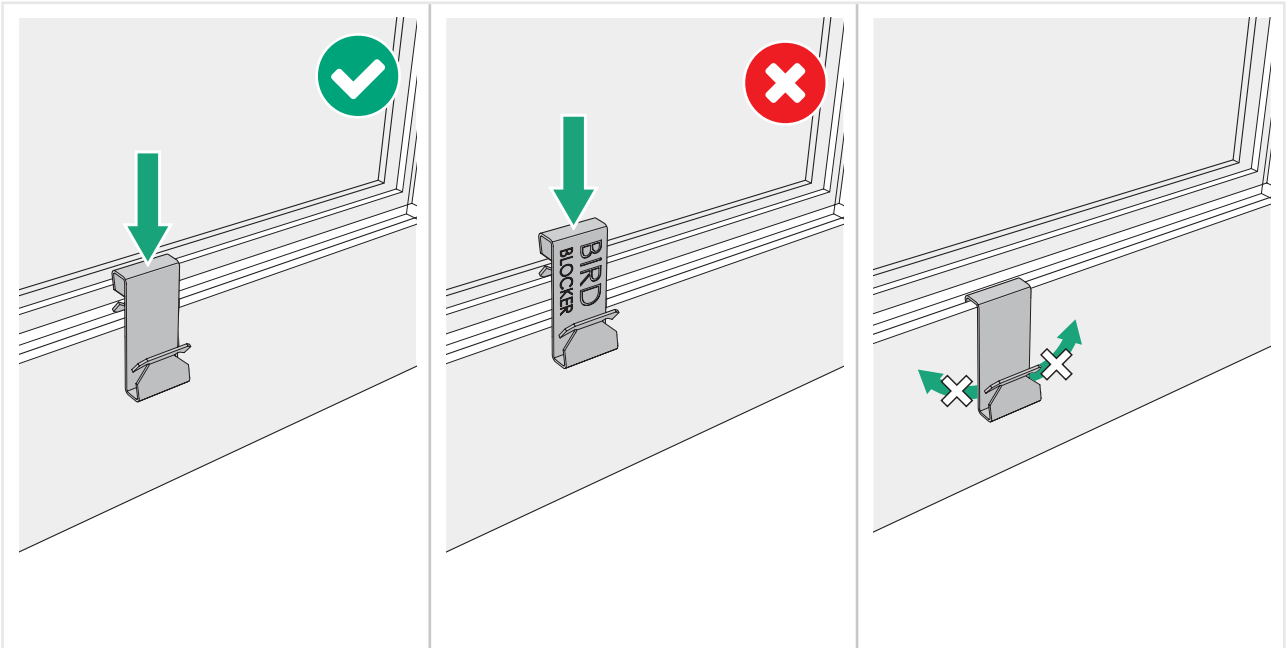
1 Determine the number of outer corners (**A**) and inner corners (**B**) of your solar panel.



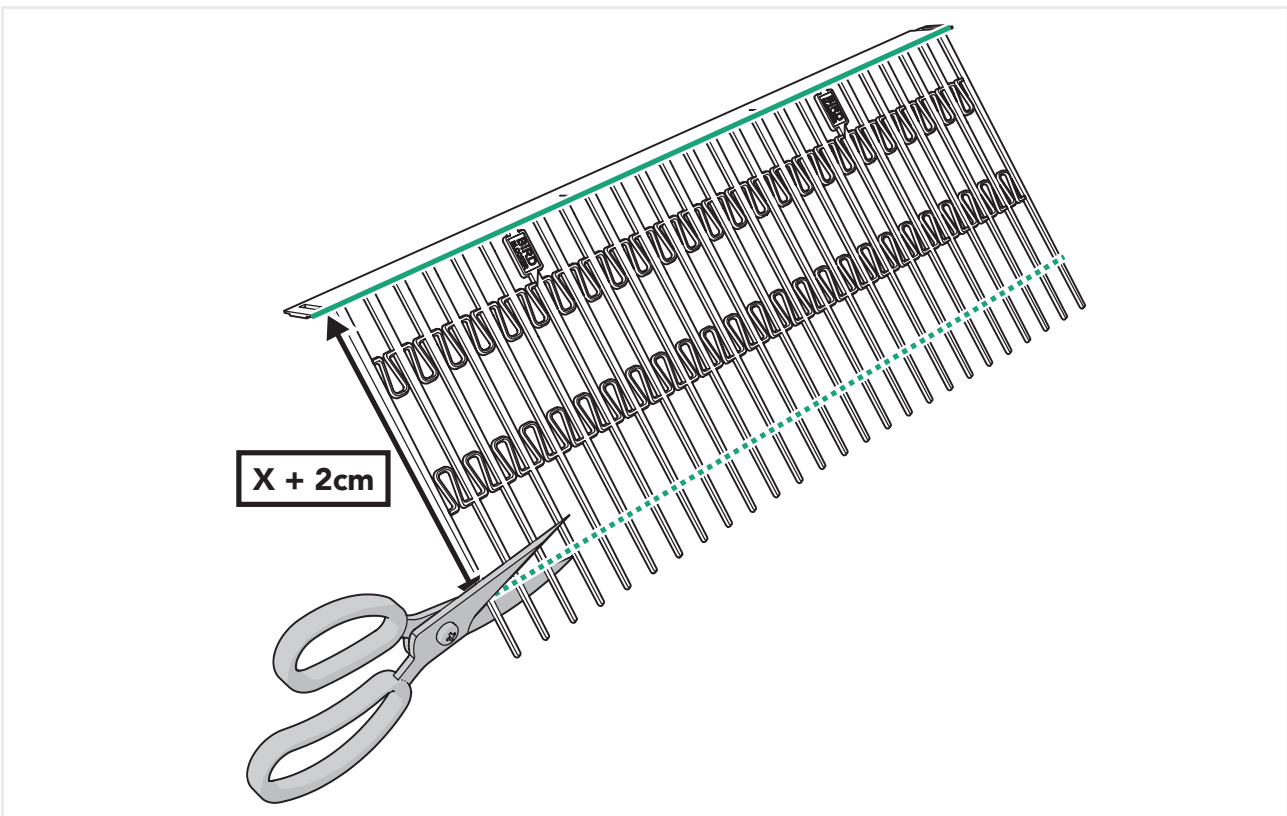
2 Measure the maximum distance from the edge of the panel to the roof surface (**X**).



-
- 3 Clip test** – Take a clip and slide it into the flat part of the profile at the back of the solar panel. Make sure the BirdBlocker logo is not visible from below. Try moving the clip from left to right. If the clip is firmly attached, the BirdBlocker is suitable for your panels. Remove the clip from the panel. You can't use this one anymore.



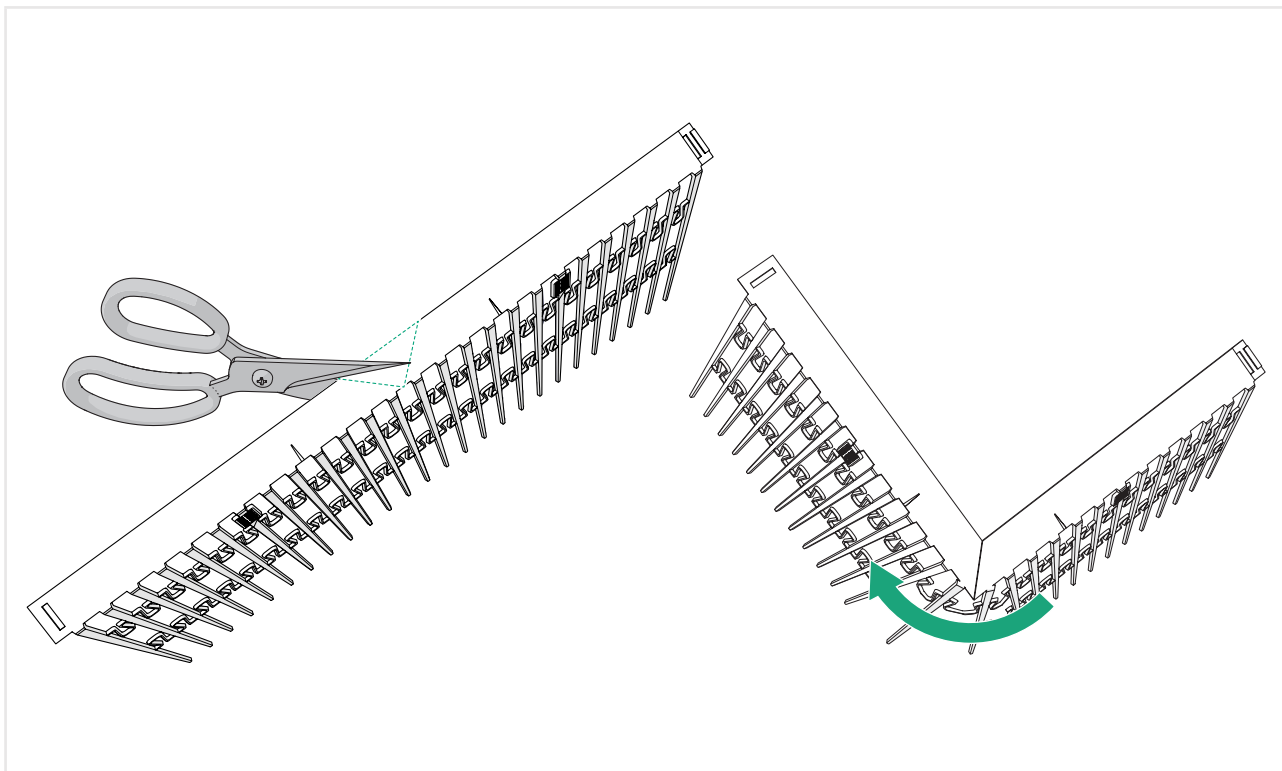
-
- 4** The correct length of the BirdBlocker needles is **X + 2 cm**. Cut the BirdBlocker to the correct length. See Figure 2.



5

First prepare the BirdBlocker strips for the outer corners (number of outer corners **A**).

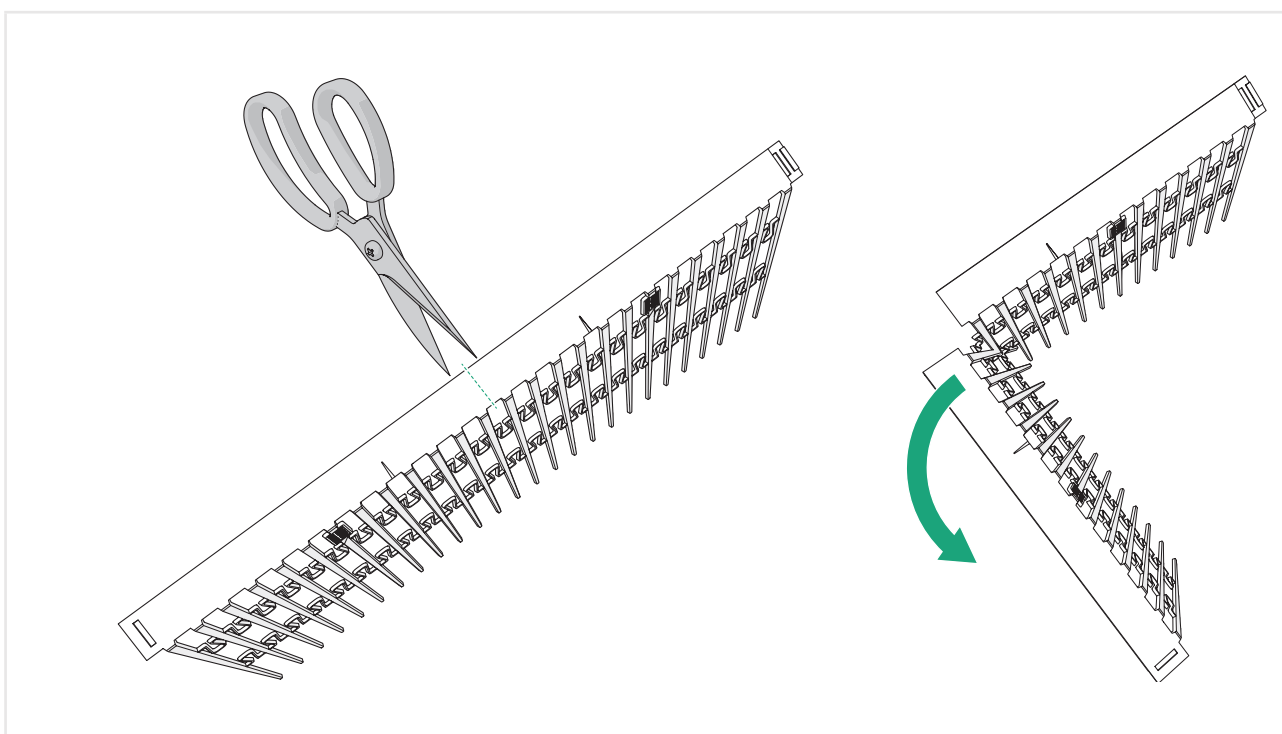
Cut a triangle from the BirdBlocker edge and fold the BirdBlocker strip inwards to form a corner.



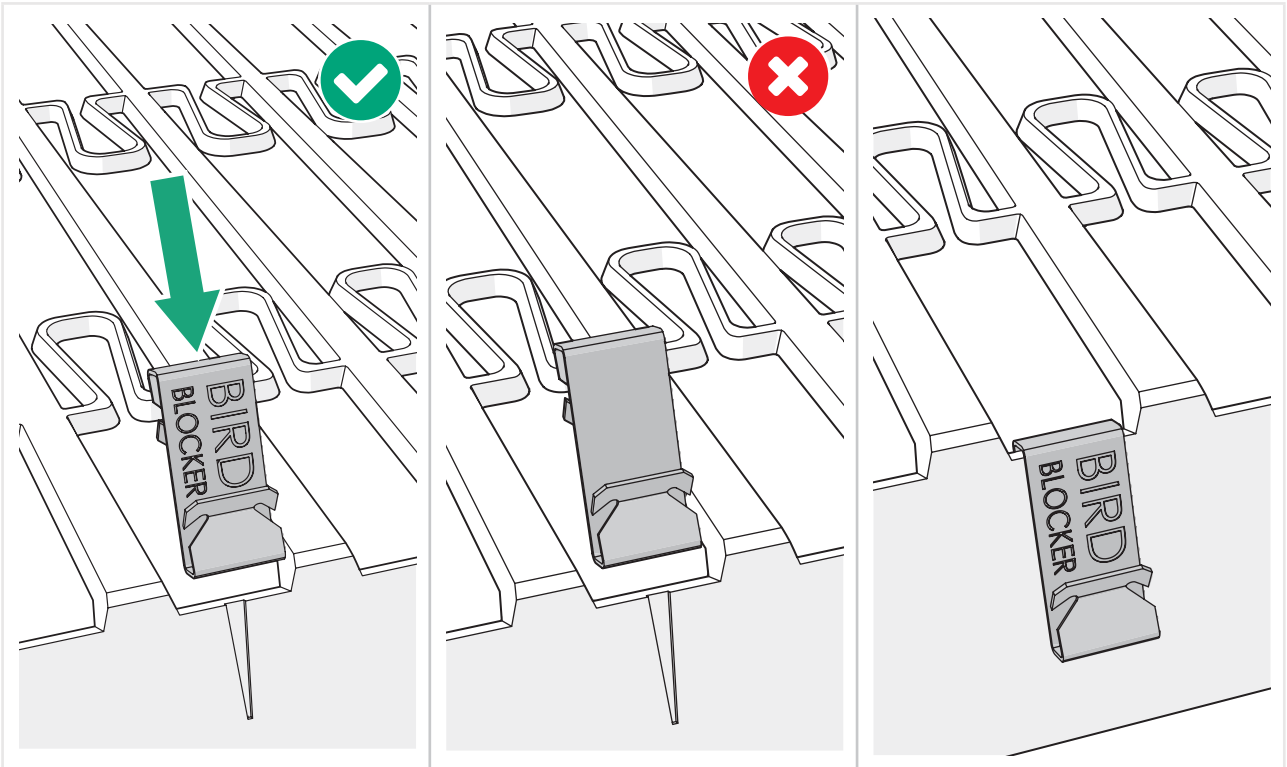
6

Then prepare the BirdBlocker strips for the inner corner profiles (number of inner corner points **B**).

Cut the top of the BirdBlocker edge and fold the BirdBlocker strip outwards.



- 7** Slide a clip onto the BirdBlocker where there is a marking arrow. Make sure the BirdBlocker logo is visible on the outside.



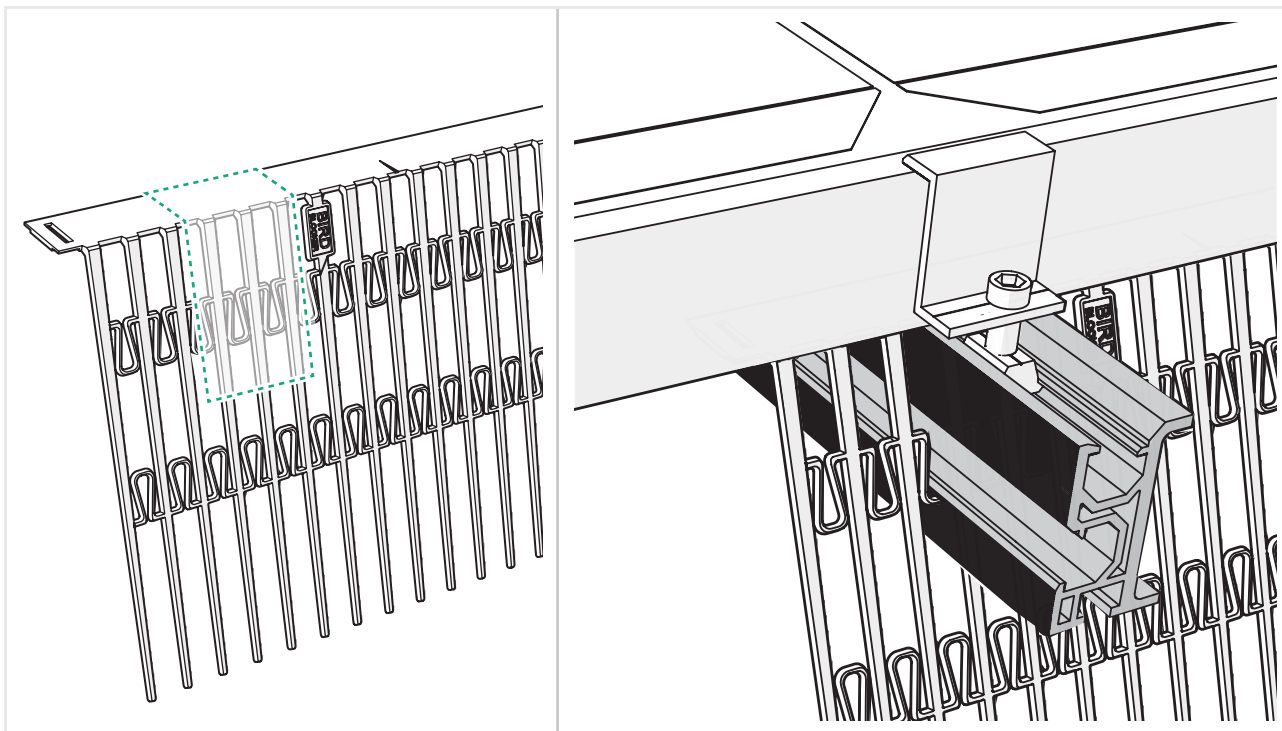
- 8** Measure how much length of BirdBlocker strip you need from one corner to the other. Connect strips with a clip. Use a minimum of 2 clips per small piece.



9

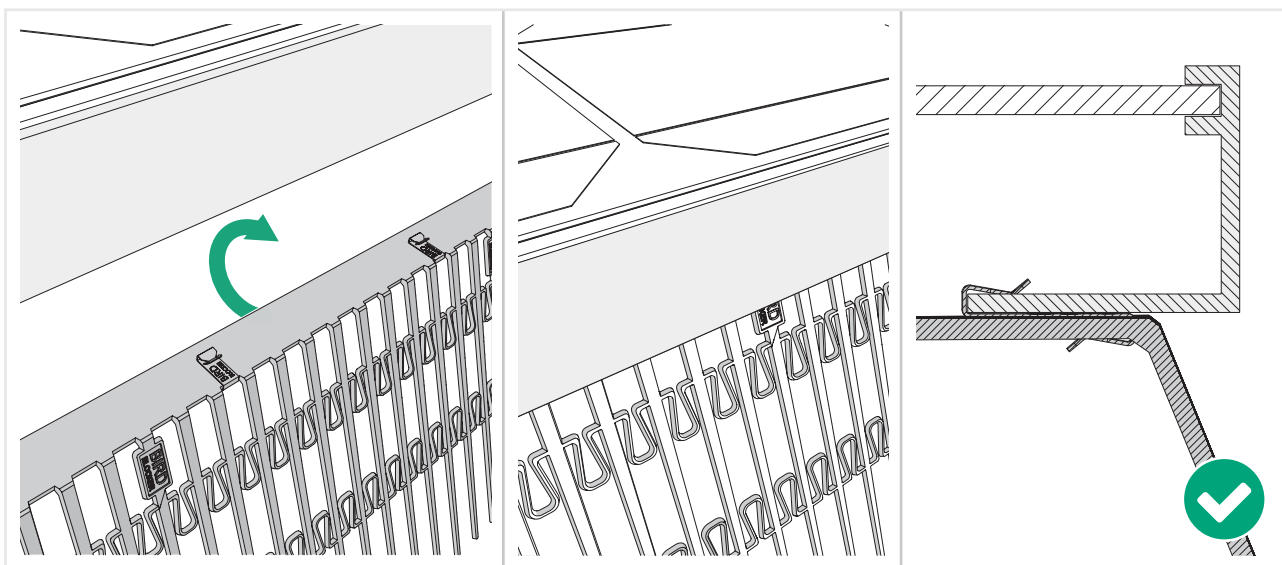
Is there a break in the solar profile? Cut a recess in the strip.

Make sure that the space under the solar panel is nicely enclosed by the BirdBlocker.

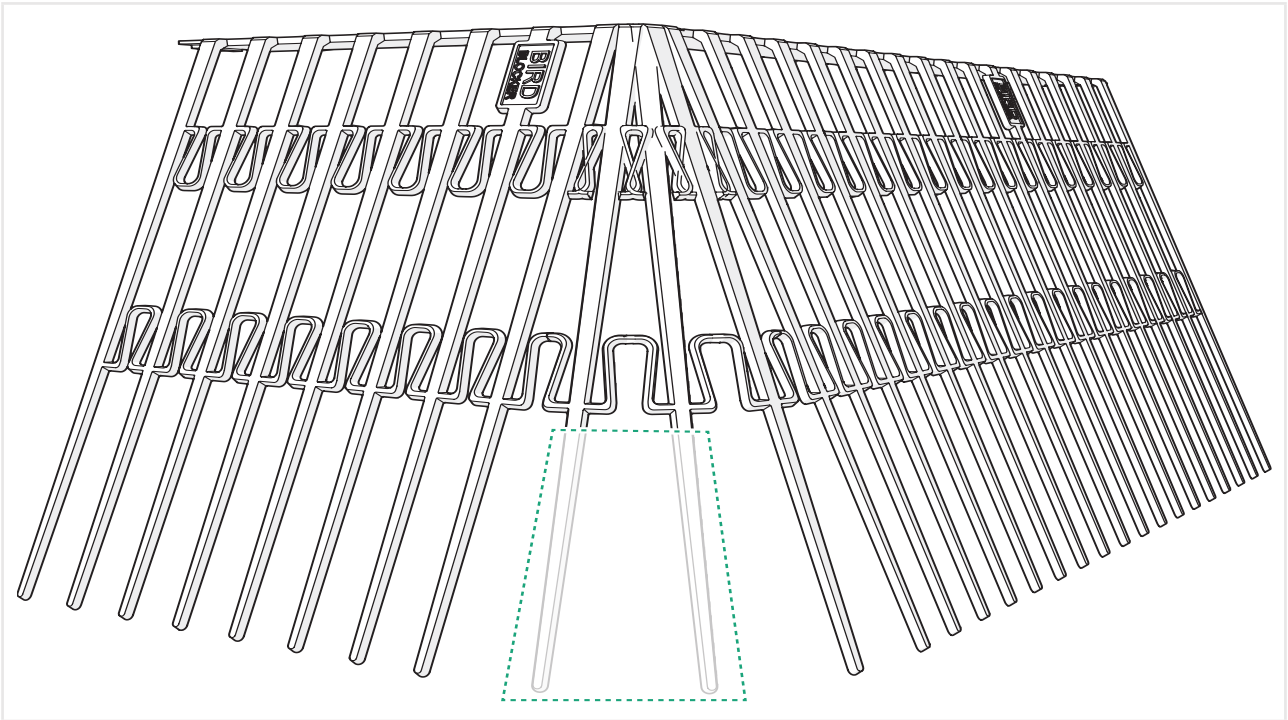


10

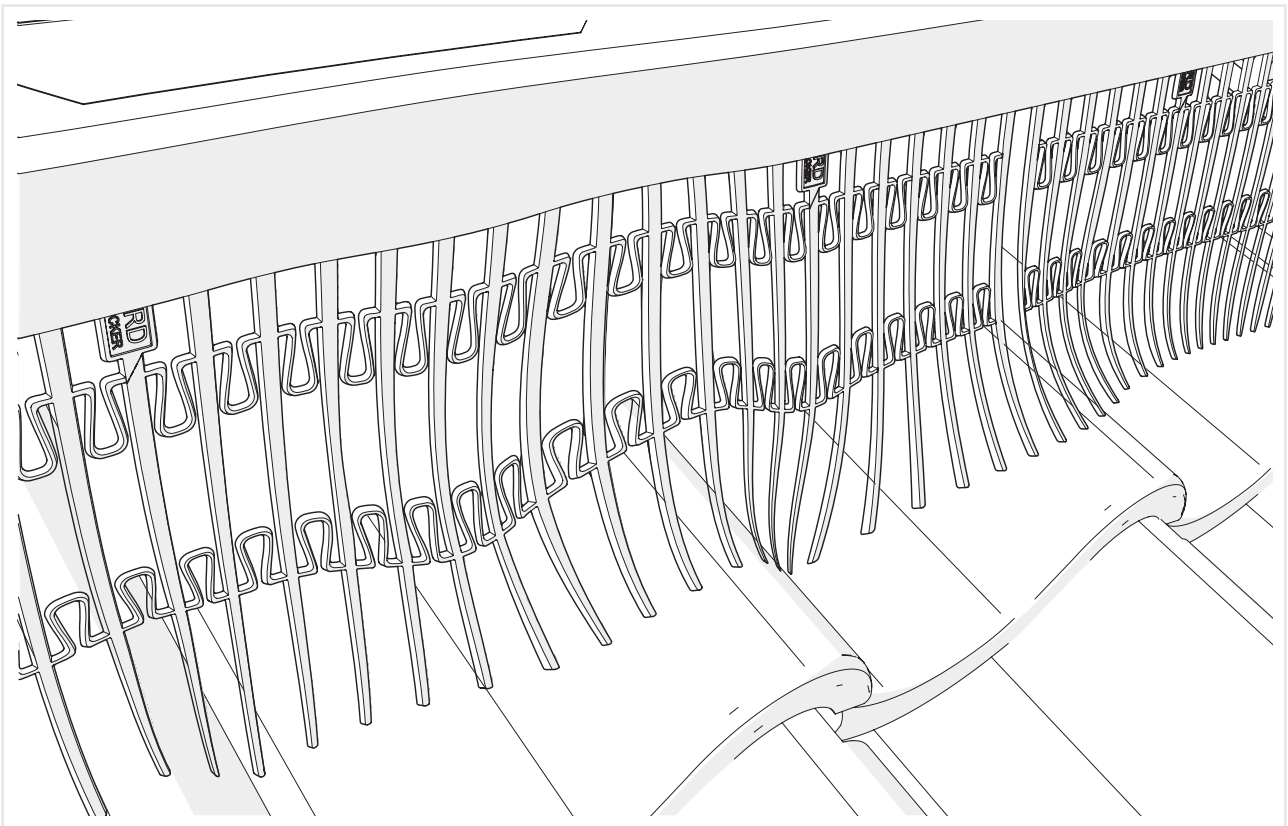
Attach the Birdblocker strips to the profiles of the solar panels.



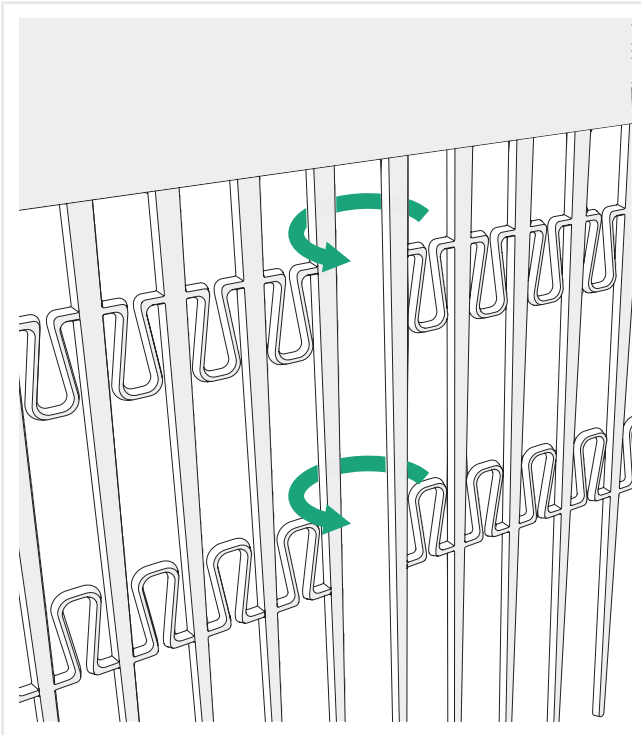
-
- 11** Are the needles of an outer corner under too much tension on the roof surface?
Then cut the needles shorter so that they just touch the roof surface.



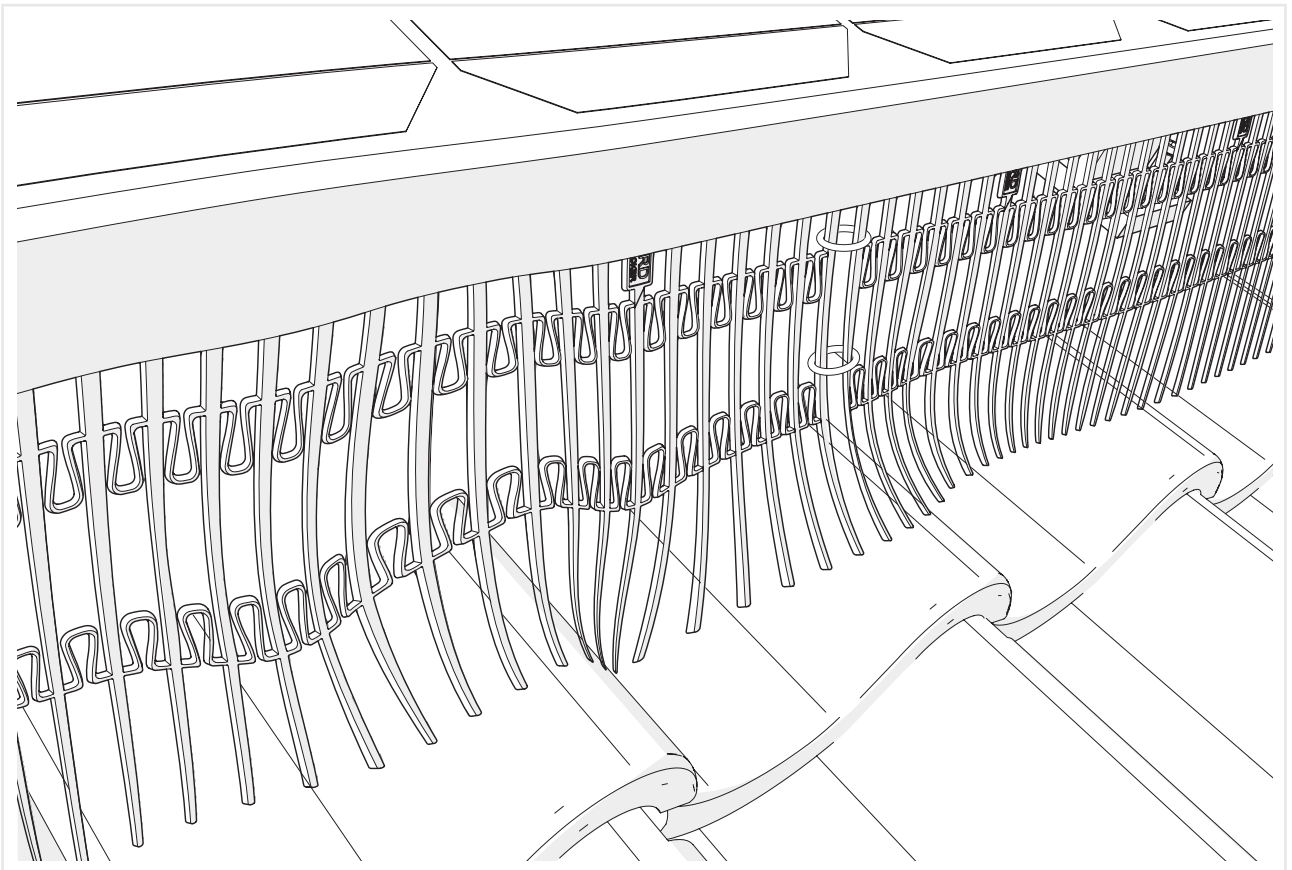
-
- 12** Check that the BirdBlocker covers all around and that there are no openings for a bird to pass through.



13 Connect the loose strips together with cable ties.



14 Cut the ends of the cable ties. Congratulations! Your solar panels are protected with BirdBlocker.



Disclaimer

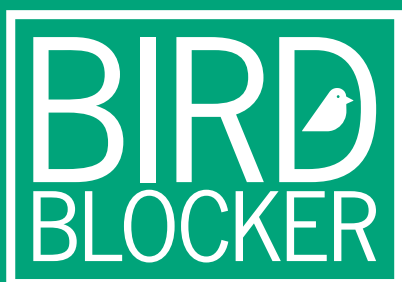
Always follow the BirdBlocker installation instructions. The installation of the BirdBlocker should only be carried out by qualified specialists with experience in installing PV systems on roofs. The suitability for the intended use of his solar system is checked by the owner and user himself. BirdBlocker is not 100% protection against the nesting of birds or other animals under the solar system. However, due to its construction, BirdBlocker strongly disturbs and hinders birds and other animals in accessing the system.

The installer is responsible not only for the professional installation, but also for the roof and the solar system on and to which he mounts the system. The installation instructions do not release the executing company from the obligation to clarify the possible uses and application of our products in connection with the other materials and products used on the individual object in advance. If technical details are not described separately, this does not release the company carrying out the work from the obligation to check the individual case and clarify the correct technical facts beforehand.

The specialist company responsible for the installation must ensure prior to installation that the installation is carried out strictly in accordance with national and site-specific building regulations, occupational safety and accident prevention regulations, and the regulations of the relevant authorities. Every person who installs the BirdBlocker is obliged to inform himself/herself about all rules and regulations for a professionally correct planning and installation and to comply with them during installation. This also includes obtaining the current status of the rules and regulations. If nests with eggs or young birds are present, the Animal Protection Act must be observed and the veterinary office must be consulted in advance if necessary.

The contents, drawings and photos shown in our documents are intended to clarify individual details and are only to be considered as recommended instructions. BirdBlocker and wholesaler do not assume any responsibility for suitability, effect, installation and correct use.

© 5/2020



BirdBlocker B.V.

Hoopolderweg 20
2635 CZ Den Hoorn
T +31 (0)174 725 725
info@birdblocker.nl
info@birdblocker.be
www.birdblocker.eu