

# Dura klick

# GR

## Mounting-System for greenroofs

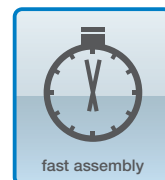
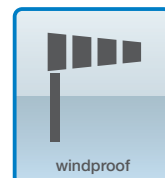
The Duraklick - GR is available in 10°, 15° and 20°. These systems can be mounted in south or in east-west configuration. The elevated module position makes it ideal for all types of green roofs as well as for open land. This also opens up green roofs for economic use by photovoltaics. Due to the lower ambient temperature they have a higher efficiency.

Due to the special construction of the module support, this system is also suitable for high wind and snow loads.

The outstanding system characteristics such as easy assembly, by clicking in the module supports, the excellent load distribution due to the 230mm wide floor profile, as well as the light aluminium composite construction guarantee short assembly times and offer a wide range of applications

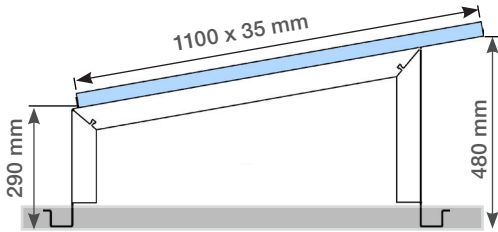
### Convincing features:

- ▶ simple and safe
- ▶ Module height ~ 30cm above roof cladding
- ▶ for legal promotion
- ▶ also mountable in east-west configuration
- ▶ corrosion resistant material and statically tested
- ▶ Made in Germany



# Dura klick

## GR 10°

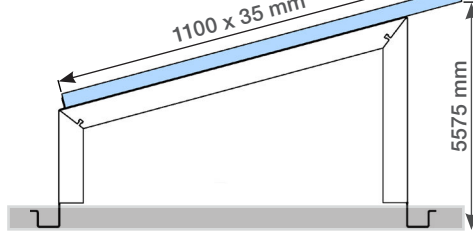


### Technical Specifications

Inclination	10°
Rail length	0,3 - 6,0 m
Modul width	800 - 1.150 mm
Distributed load	ca. 10,9 kg/m <sup>2</sup> *
Liniar load	ca. 18 kg/m *
Material	aluminium stainless-steel

\* assuming a module weight of 19 kg

## GR 15°

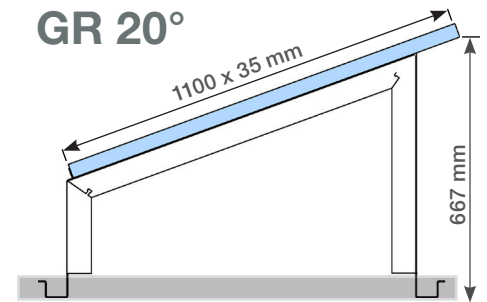


### Technical Specifications

Inclination	10°
Rail length	0,3 - 6,0 m
Modul width	800 - 1.150 mm
Distributed load	ca. 10,3 kg/m <sup>2</sup> *
Liniar load	ca. 17,4 kg/m *
Material	aluminium stainless-steel

\* assuming a module weight of 19 kg

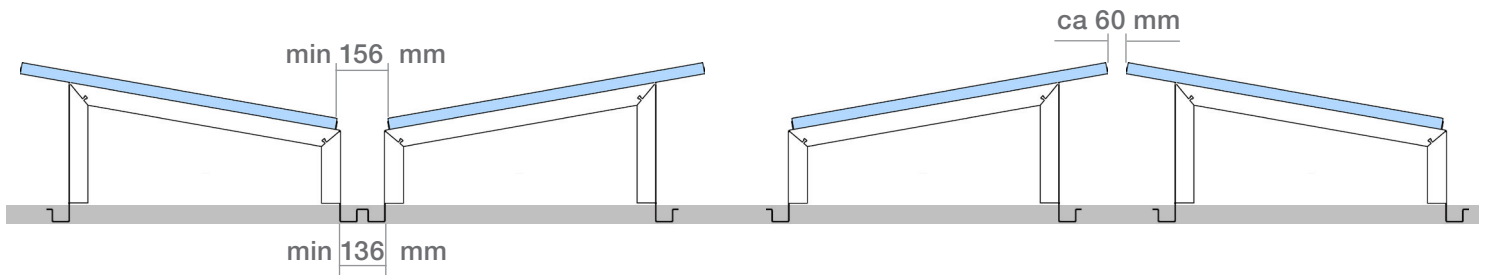
## GR 20°



### Technical Specifications

Inclination	10°
Rail length	0,3 - 6,0 m
Modul width	800 - 1.150 mm
Distributed load	ca. 9,8 kg/m <sup>2</sup> *
Liniar load	ca. 16,8 kg/m *
Material	aluminium stainless-steel

\* assuming a module weight of 19 kg



**SOLTOP**  
renewable energy

Soltop EU GmbH  
Sonnenhalde 5  
D-88161 Lindenberg  
www.soltop.eu

Hauptsitz Schweiz  
Soltop Schuppisser AG  
St. Gallerstrasse 3  
CH-8353 Elgg

Sitz der Gesellschaft: Lindenberg  
Registergericht: Kempten (Allgäu)  
Geschäftsführer: Andreas Zimmerer

Handelsregister: HRB 14331  
MwSt: 127/137/60143  
UID: DE 300 49 1338  
EORI: DE314291943832627