



TS4-A-O

Module-level optimization, monitoring, and rapid shutdown

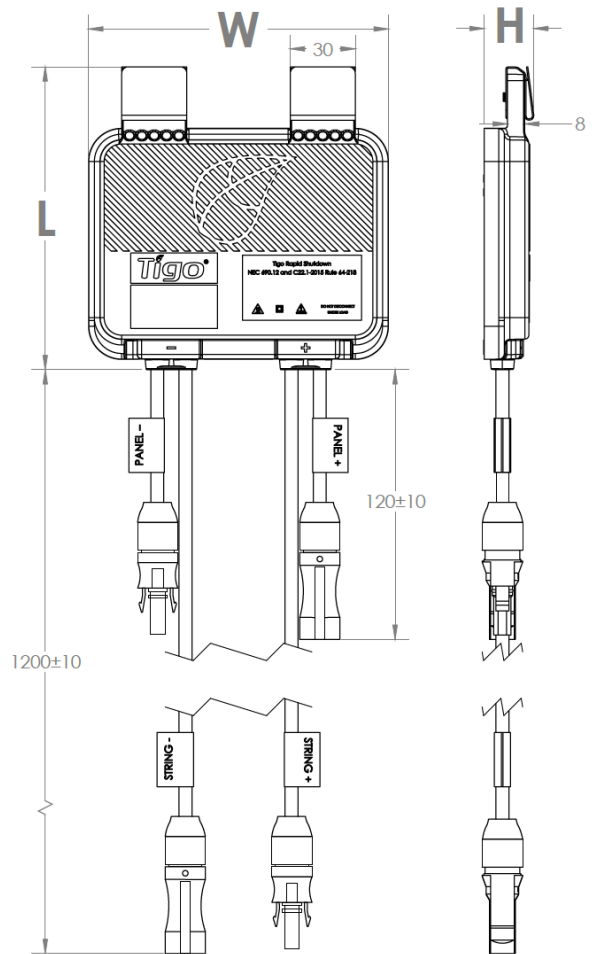
The Tigo TS4-A-O improves production, safety, and intelligence in new designs and existing systems. Patented technology delivers top performance with high efficiency for a fast ROI. Easy installation and long-term reliability reduce system downtime and truck rolls, while Tigo’s Energy Intelligence platform enables quicker onsite commissioning and comprehensive remote monitoring.

Features

- Simple, fast installation – snap to a standard PV module frame or mount to racking
- Intelligent optimization – optimizes only when needed
- Module-level monitoring – full visibility into module- and system-level production
- Rapid shutdown – a UL/NEC-certified component for photovoltaic rapid shutdown systems (PVRSS) worldwide
- Works with any system – fully compatible with thousands of different inverter models from more than 50 inverter brands
- 25-year warranty
- Monitoring, rapid shutdown, and remote troubleshooting with TAP and CCA

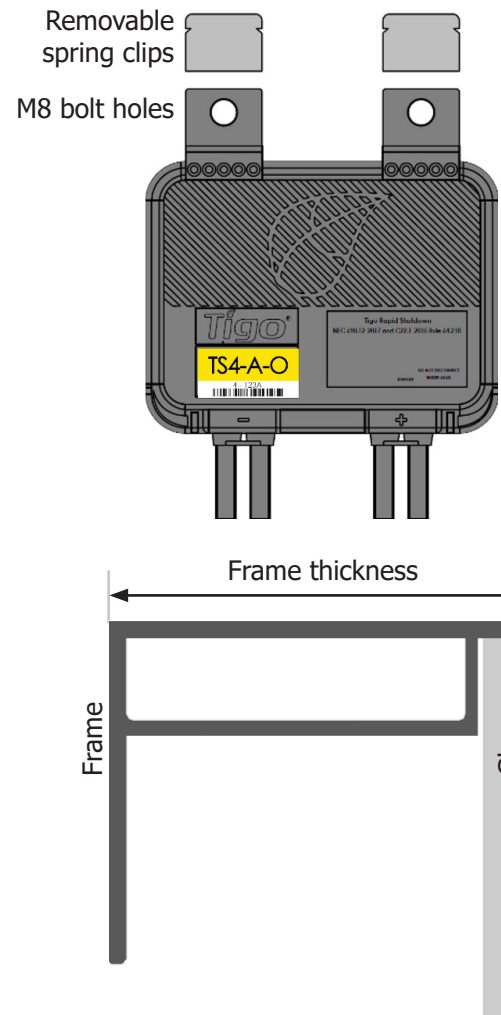
Quick Specs

Height/width/depth	138.4 x 139.7 x 22.9mm (5.4 x 5.5 x 0.9in)
Weight	520g (1.15lbs)
Operating temperature	-40 – 70°C (-40 – 158°F)
Maximum elevation	2000m (6560ft)
Maximum current	15A
Maximum power	700W



Module Mounting

Electrical	
Maximum input voltage (V_{OC} at lowest temperature)	80V
Input voltage range	16 – 80V ¹
Maximum input current (I_{MP})	15A
Maximum power	700W
Recommended fuse rating	20A
Conductor AWG	12
Rapid shutdown time limit	≤30s
PVRSE controlled conductors	≤240VA, ≤8A, ≤30V _{DC}
Operational Output (connected to inverter)	
Maximum output current	$I_{DCU\ MAX}$
Maximum output voltage	$V_{DCU\ MAX}$
Connections ²	
Input (from module) cable length	0.12/0.62m
Output (to string) cable length	1.2m
Connectors	MC4, EVO2
Environmental	
Storage temperature range	-40 – 85°C (-40 – 185°F)
Protection rating	IP68, NEMA 3R
Relative humidity	0 – 100%
¹ $V_{MOD\ MAX}$ of the connected panel = TS4-A-O $V_{DCU\ MAX}$	
² Contact Sales for different options. Minimum order quantities may apply.	



If frame thickness is ≤35mm (1.4in), install with the TS4 label facing the PV module.

Ordering Information

461-00252-32	TS4-A-O, 15A, 700W, 1500v UL/1000V IEC, 0.12/1.2m cables, MC4
461-00252-62	TS4-A-O, 15A, 700W, 1500V UL/1000V IEC, 0.62/1.2m cables, MC4
461-00261-32	TS4-A-O, 15A, 700W, 1500V UL/IEC, 0.12/1.2m cables, EVO2
461-00261-62	TS4-A-O, 15A, 700W, 1500V UL/IEC, 0.62/1.2m cables, EVO2
461-00280-00	TS4-A-O, 15A, 700W, 1500V UL/IEC, 0.12/1.2m cables, MC4/EVO2 comparable
461-00280-62	TS4-A-O, 15A, 700W, 1500V UL/IEC, 0.62/1.2m cables, MC4/EVO2 comparable
462-00252-32	TS4-A-O, 15A, 700W, 1000V IEC, 0.12/1.2m cables, MC4
462-00252-62	TS4-A-O, 15A, 700W, 1000V IEC, 0.62/1.2m cables, MC4
462-00261-32	TS4-A-O, 15A, 700W, 1500V IEC, 0.12/1.2m cables, EVO2
462-00261-62	TS4-A-O, 15A, 700W, 1500V IEC, 0.62/1.2m cables, EVO2
462-00280-00	TS4-A-O, 15A, 700W, 1500V IEC, 0.12/1.2m cables, MC4/EVO2 comparable
462-00280-62	TS4-A-O, 15A, 700W, 1500V IEC, 0.62/1.2m cables, MC4/EVO2 comparable

Resources



TS4-A-O



Home



Help Center



Downloads